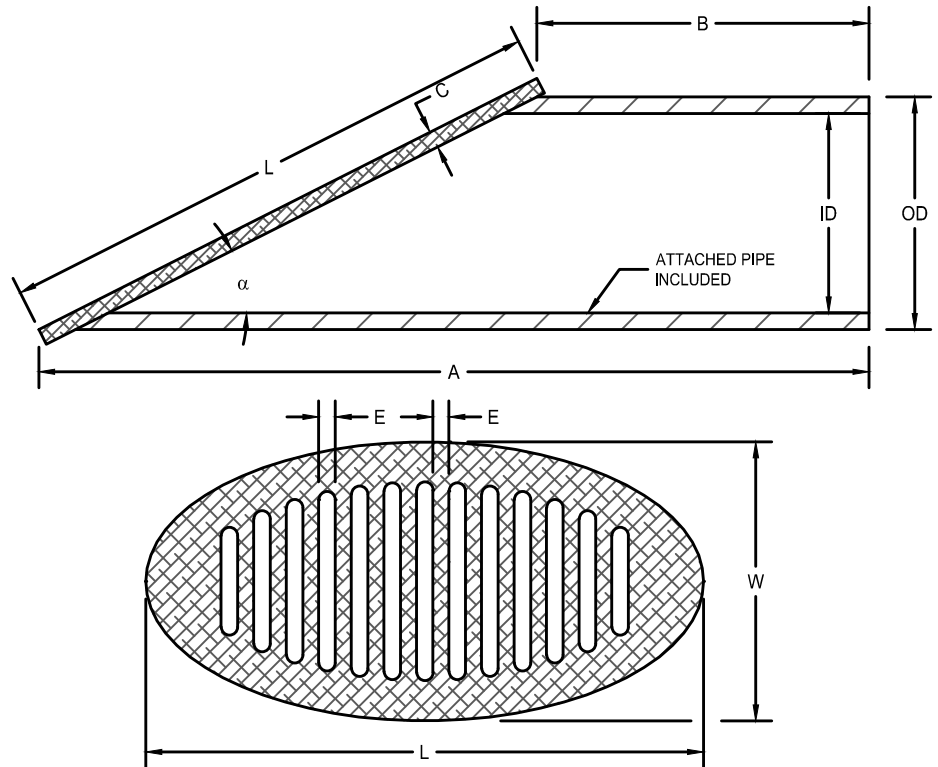




**MITERED DRAIN™**  
INCORPORATED

# Mitered Drain Covers



**BASIC SPECIFICATIONS**

HDPE grates are made with UV inhibitor.  
Set screws are type 18-8 stainless steel.  
Not recommended for traffic loads. Made in the U.S.A.

Mitered Drain™ (pat. pending)

## DIMENSION TABLE \*

| PIPE SIZE | SLOPE | MODEL NO. | GRATE MATERIAL | ATTACHED MITERED PIPE MATERIAL | A(in.) | B(in.) | C(in.) | ID(in.) | OD(in.) | E(in.) | L(in.) | W (in.) | $\alpha$ | APPROX. WEIGHT (lbs.) | AREA OF GRATE OPENING (sq. in.) |
|-----------|-------|-----------|----------------|--------------------------------|--------|--------|--------|---------|---------|--------|--------|---------|----------|-----------------------|---------------------------------|
| 3"        | 3:1   | 3MD3P-G   | GRAY HDPE      | PVC Sch. 80                    | 15     | 4      | 0.375  | 2.85    | 3.5     | 0.375  | 11.6   | 4.0     | 18.5°    | 2                     | 10.4                            |
| 3"        | 3:1   | 3MD3P-B   | BLACK HDPE     | PVC Sch. 80                    | 15     | 4      | 0.375  | 2.85    | 3.5     | 0.375  | 11.6   | 4.0     | 18.5°    | 2                     | 10.4                            |
| 3"        | 3:1   | 3CMD3-BN  | BROWN HDPE     | PVC Sch. 40                    | 14.7   | 3      | NA     | 3.03    | 3.5     | 0.375  | 12.4   | 4.0     | 18.5°    | 1.4                   | 9.85                            |
| 3"        | 3:1   | 3CMD3-GN  | GREEN HDPE     | PVC Sch. 40                    | 14.7   | 3      | NA     | 3.03    | 3.5     | 0.375  | 12.4   | 4.0     | 18.5°    | 1.4                   | 9.85                            |
| 4"        | 3:1   | 4MD3P-G   | GRAY HDPE      | PVC Sch. 80                    | 18.5   | 4.5    | 0.375  | 3.77    | 4.5     | 0.375  | 14.7   | 5.0     | 18.5°    | 3.5                   | 17.9                            |
| 4"        | 3:1   | 4MD3P-B   | BLACK HDPE     | PVC Sch. 80                    | 18.5   | 4.5    | 0.375  | 3.77    | 4.5     | 0.375  | 14.7   | 5.0     | 18.5°    | 3.5                   | 17.9                            |
| 4"        | 3:1   | 4CMD3-BN  | BROWN HDPE     | PVC Sch. 40                    | 18.5   | 3.5    | NA     | 3.99    | 4.5     | 0.375  | 15.6   | 5.0     | 18.5°    | 2.3                   | 15.76                           |
| 4"        | 3:1   | 4CMD3-GN  | GREEN HDPE     | PVC Sch. 40                    | 18.5   | 3.5    | NA     | 3.99    | 4.5     | 0.375  | 15.6   | 5.0     | 18.5°    | 2.3                   | 15.76                           |
| 6"        | 3:1   | 6MD3P     | GRAY HDPE      | C900-CL 200                    | 30     | 8      | 0.75   | 5.85    | 6.9     | 0.50   | 22.4   | 7.5     | 18.5°    | 13                    | 41.9                            |
| 8"        | 3:1   | 8MD3P     | GRAY HDPE      | C900-CL 150                    | 43     | 14     | 0.75   | 7.97    | 9.1     | 0.75   | 29.3   | 9.7     | 18.5°    | 26                    | 76.7                            |
| 12"       | 3:1   | 12MD3P    | GRAY HDPE      | C900-CL 150                    | 58     | 17     | 0.75   | 11.63   | 13.2    | 1.0    | 42.5   | 14      | 18.5°    | 66                    | 165.1                           |

\* ALL DIMENSIONS ARE IN INCHES AND ALL WEIGHTS ARE IN POUNDS, AND MAY VARY.